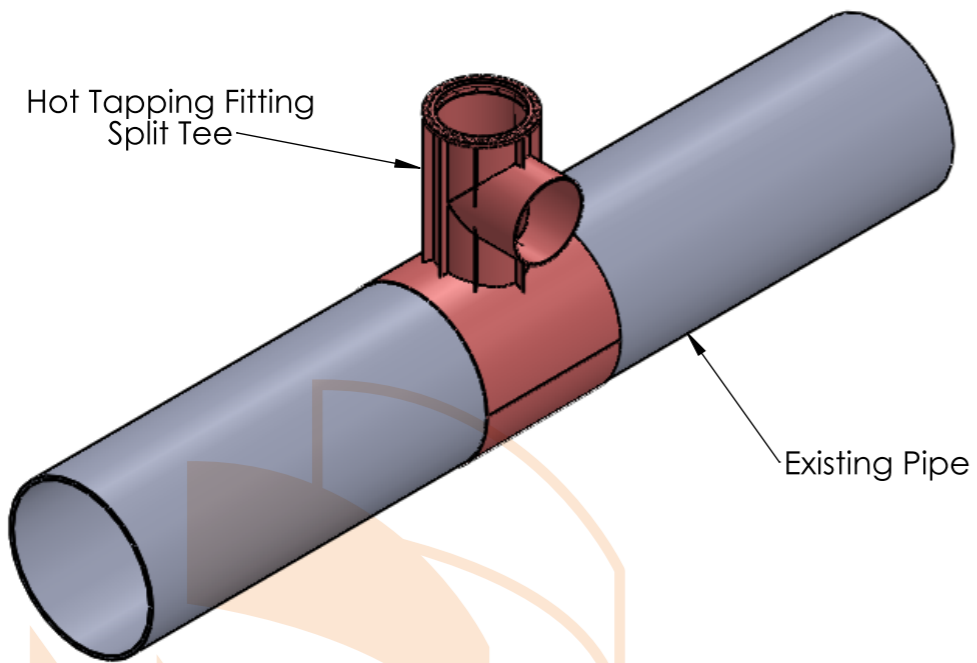


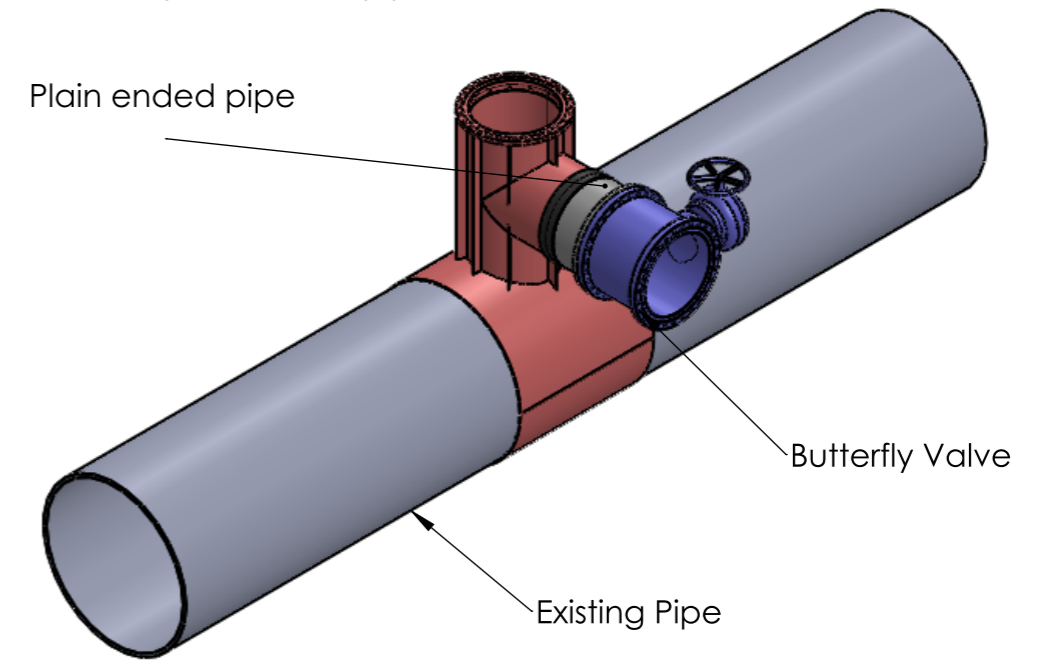
STEP 1

1. Install Hot Tapping Split Tee



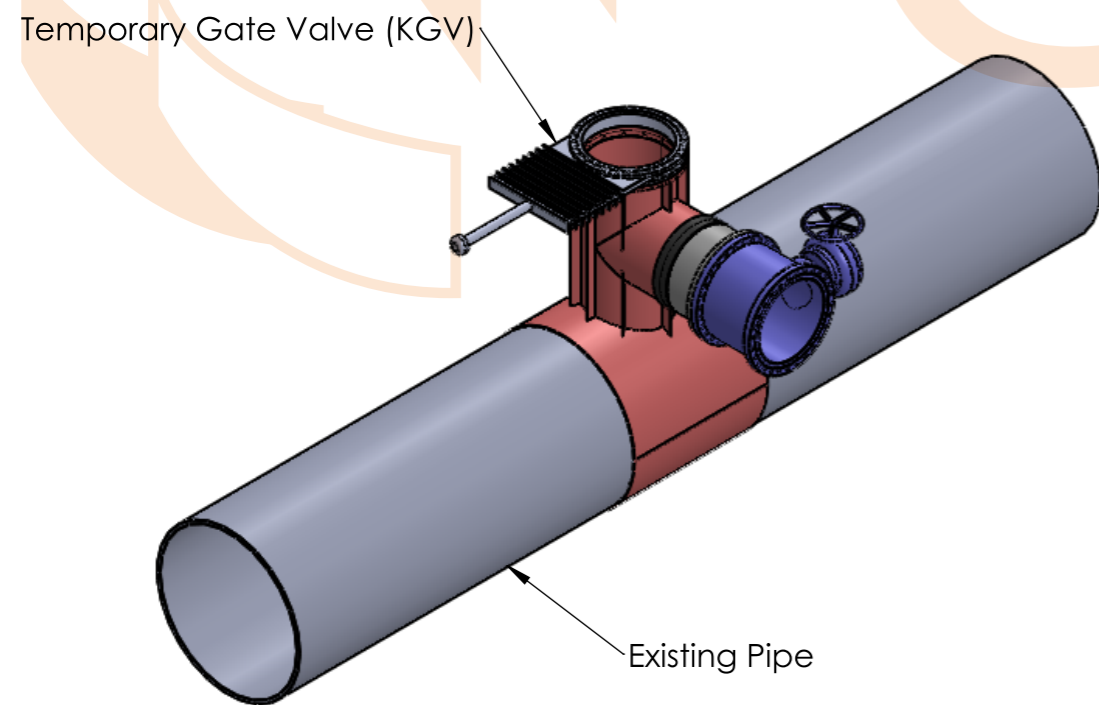
STEP 2

1. Install Butterfly Valve and plain ended pipe



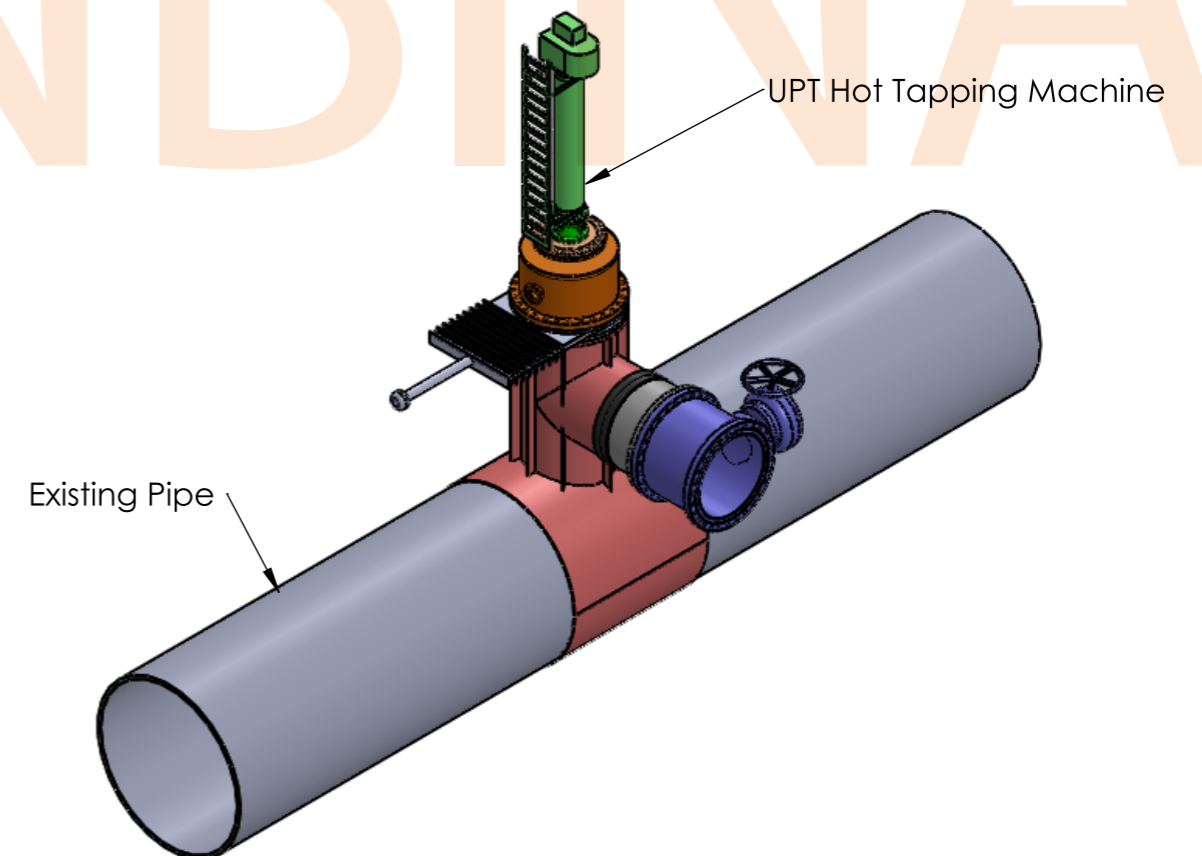
STEP 3

1. Install Temporary Gate Valve (KGV) to hot tapping split tee



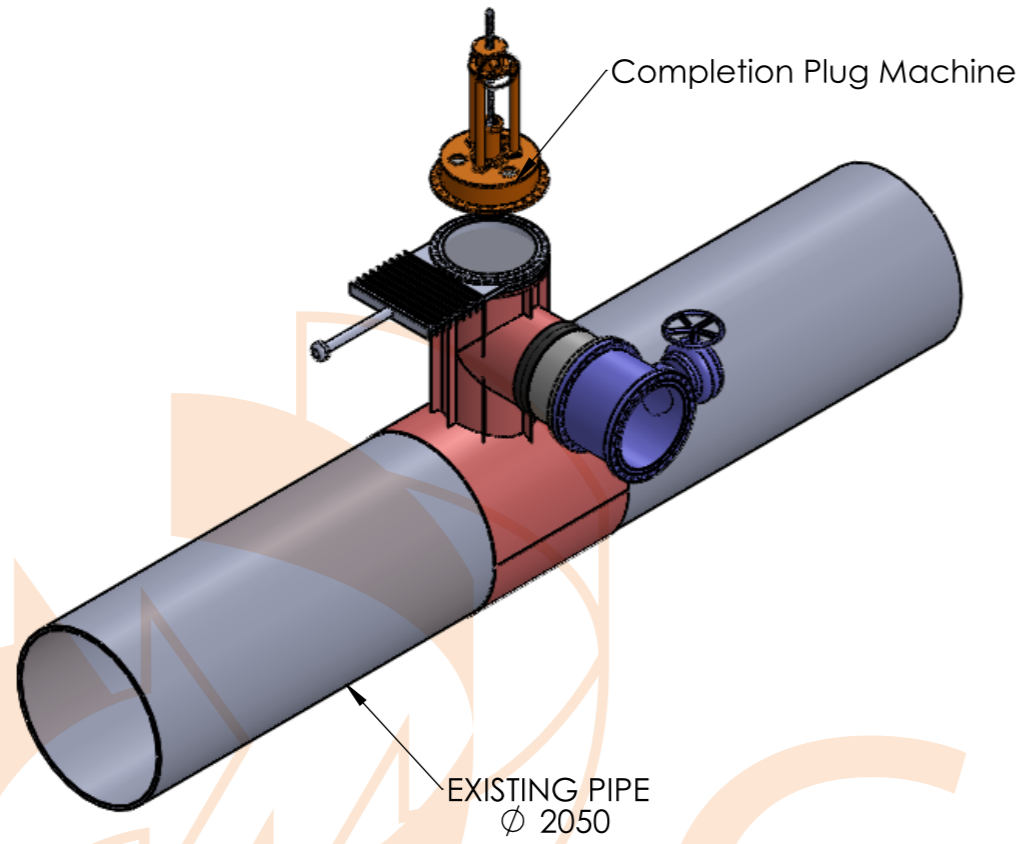
STEP 4

1. Install Tapping Machine to hot tapping split tee



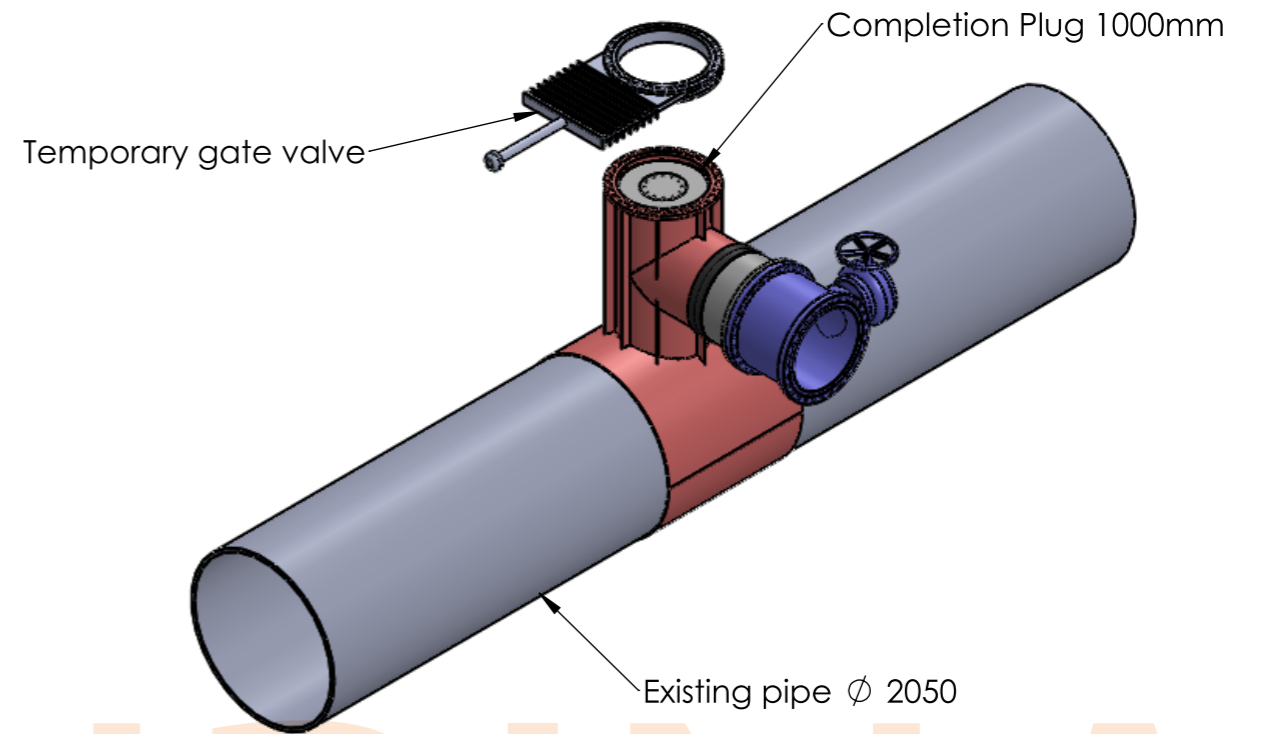
STEP 5

1. After Tapping close temporary valve. Then install completion plug machine



STEP 6

1. Plug in Completion plug and remove temporary gate valve



STEP 7

1. Install Blind Flange

