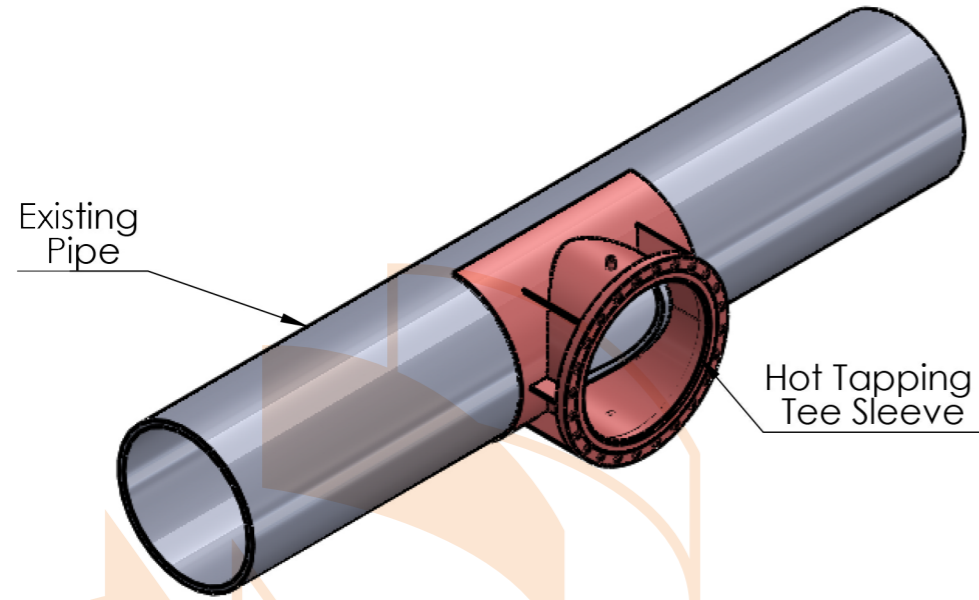


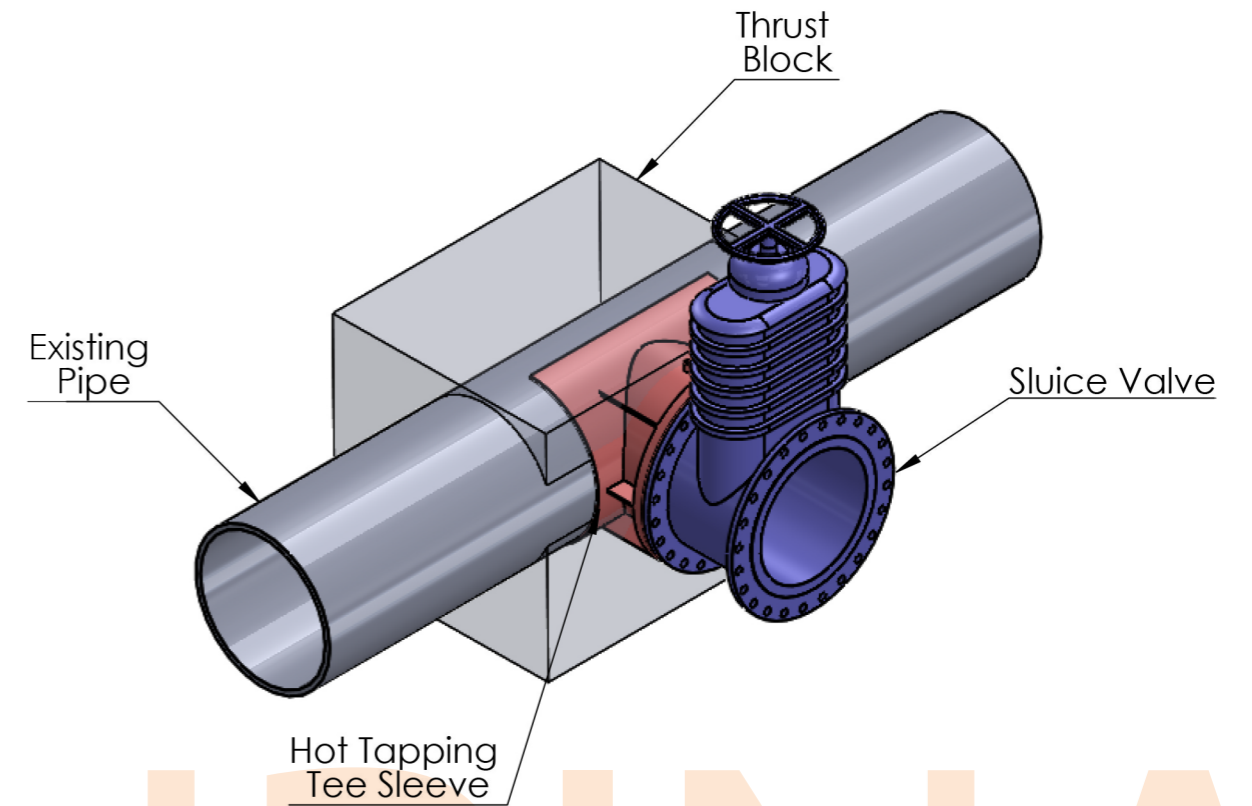
### STEP 1

1. Hot Tapping Tee Sleeve installation.
2. Weld Perimeter of tee sleeve.



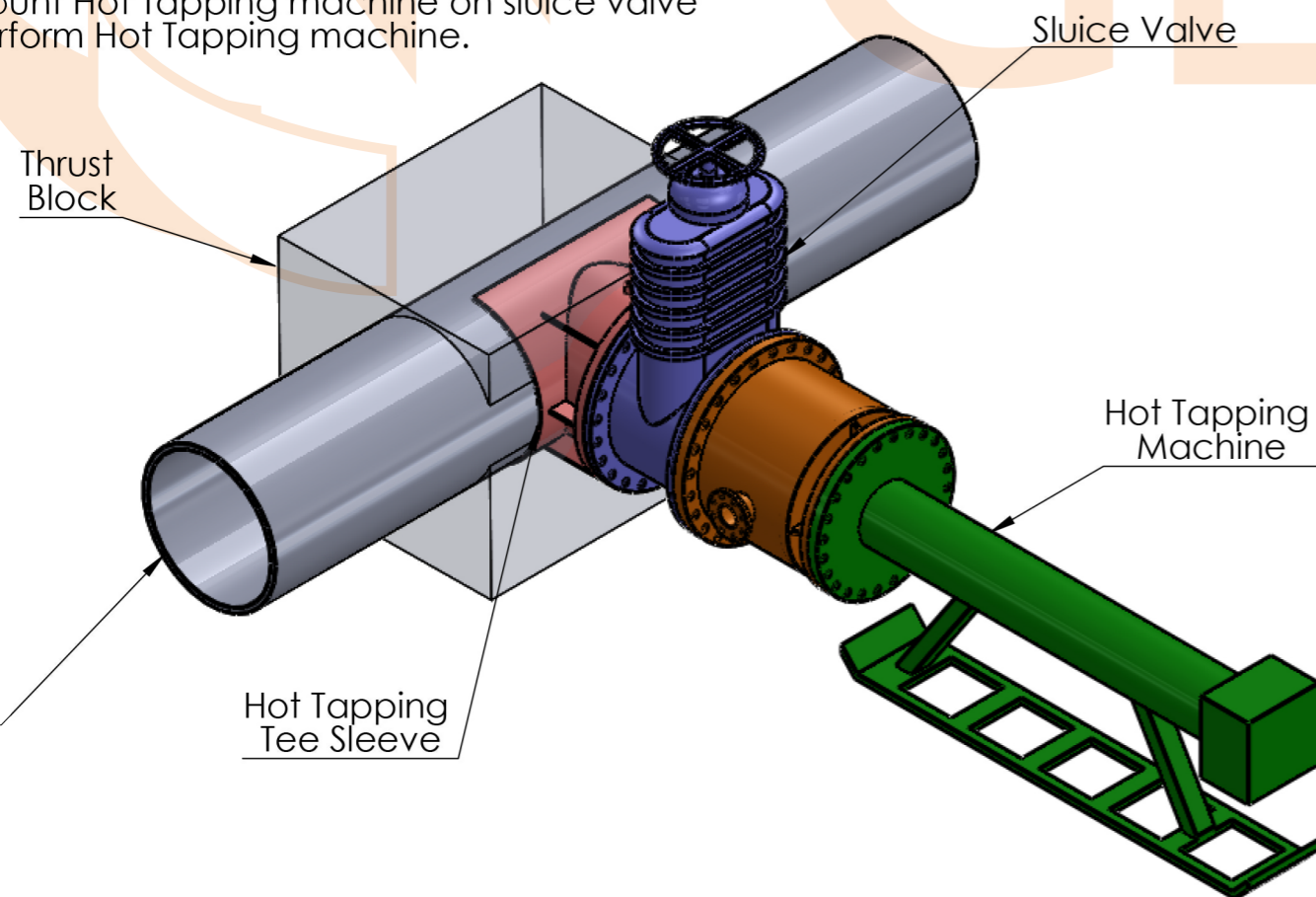
### STEP 2

1. Thrust Block and Sluice Valve installation.



### STEP 3

1. Mount Hot Tapping machine on sluice valve
2. Perform Hot Tapping machine.



### STEP 4

1. Finally, Removal Hot Tapping machine.

